

FAG

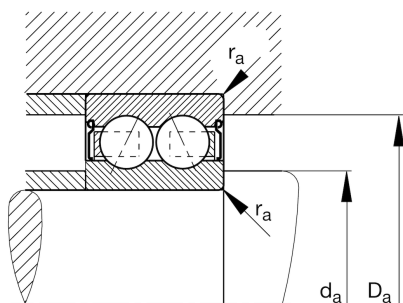
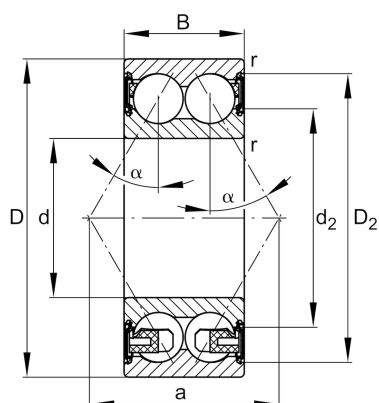
**3207-BD-XL-2HRS**

Angular contact ball bearing

Schaeffler ID:  
0822381620000Angular contact ball bearing 32..-BD-  
XL-2HRS, double row, X-life, seals, steel  
sheet metal cage

X-life

## Technical information

**Main Dimensions & Performance Data**

d	35 mm	Bore diameter
D	72 mm	Outside diameter
B	27 mm	Width
$C_r$	41.000 N	Basic dynamic load rating, radial
$C_{0r}$	30.000 N	Basic static load rating, radial
$C_{ur}$	2.090 N	Fatigue load limit, radial
$n_G$	7.600 1/min	Limiting speed
	0,453 kg	Weight

**Dimensions**

$r_{min}$	1,1 mm	Minimum chamfer dimension
$D_2$	65,4 mm	Caliber diameter outer ring
$d_2$	46,9 mm	Caliber diameter inner ring
a	42,5 mm	Distance between the apexes of the pressure cones
$\alpha$	30 °	Contact angle

**Mounting dimensions**

$d_{a min}$	42 mm	Minimum diameter shaft shoulder
$D_{a max}$	65 mm	Maximum diameter of housing shoulder
$r_{a max}$	1 mm	Maximum fillet radius

**Temperature range**

$T_{min}$	-20 °C	Operating temperature min.
$T_{max}$	100 °C	Operating temperature max.